

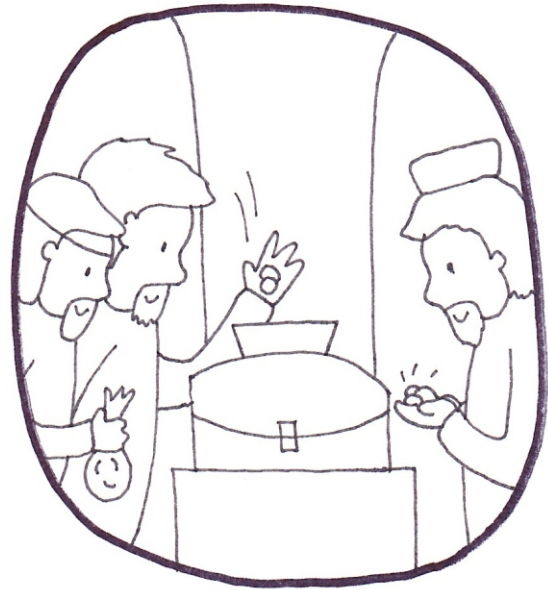
THE LITTLE DONKEY

Thirty-second Sunday
in Ordinary Time
- Year B

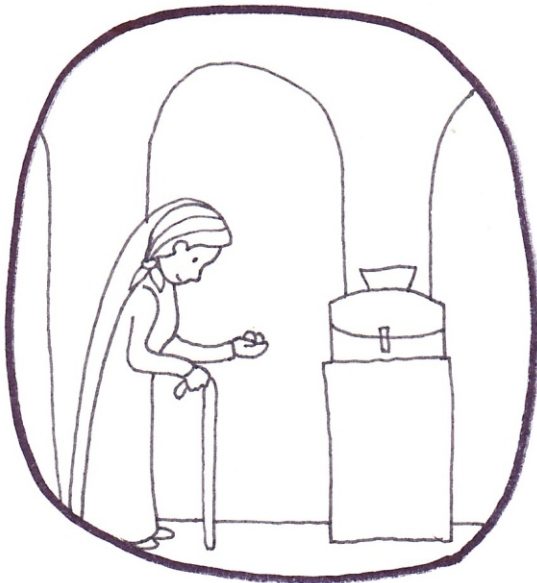
Gospel for children
Mark 12:38-44



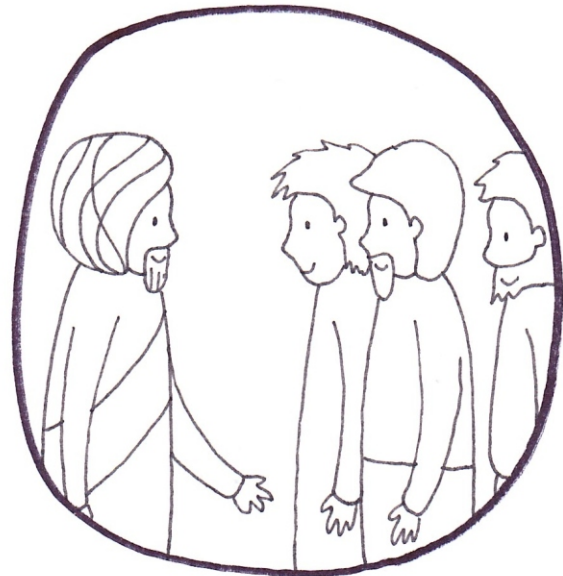
① Jesus observed how the crowd put money into the treasury.



② Many rich people put in large sums.



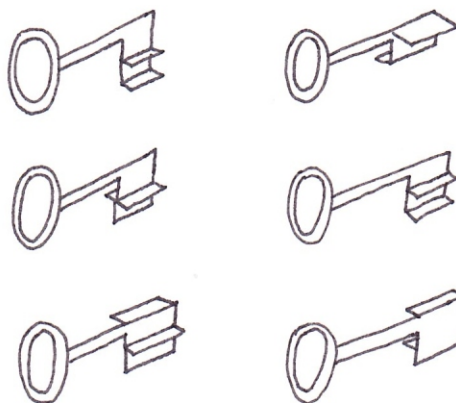
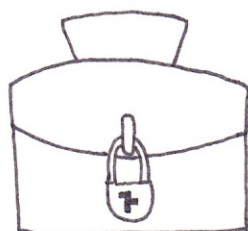
③ A poor widow also came and put in two small coins worth a few cents.



④ Jesus said to disciples: "This poor widow put in more than all the other contributors to the treasury - all she had, her whole livelihood."



Can you help the Little Donkey to find the right key from the treasury?



Find these eight words:

- TREASURE
- WIDOW
- POOR
- COIN
- CROWD
- RICH
- LIVELIHOOD
- HONOR

A	R	Z	C	R	O	W	D	K	L
E	W	S	D	R	V	B	J	U	I
N	E	I	O	A	S	H	E	J	V
J	T	N	D	R	P	R	L	K	E
A	O	S	F	O	U	H	R	J	L
H	S	A	R	S	W	Z	O	E	I
D	J	C	A	I	G	Y	O	X	H
A	Z	E	O	U	C	E	P	C	O
P	R	Q	D	I	Q	H	N	A	O
T	A	F	G	A	N	Z	T	K	D

Dear readers,

We are a married couple; Jana and Jakub Kupkovi. We have created the simple magazine "The Little Donkey" for children, which shows the Sunday's Gospel in pictures and games. The pictures are also for colouring-in. We publish this magazine ready for every Sunday. All of the issues, current and previous, are available on the website www.littledonkey.eu. You may download or print them free of charge. The current issue is on the main page and we publish it every Wednesday evening. If you have any questions or comments, please write to us on: casopis@malyoslik.cz